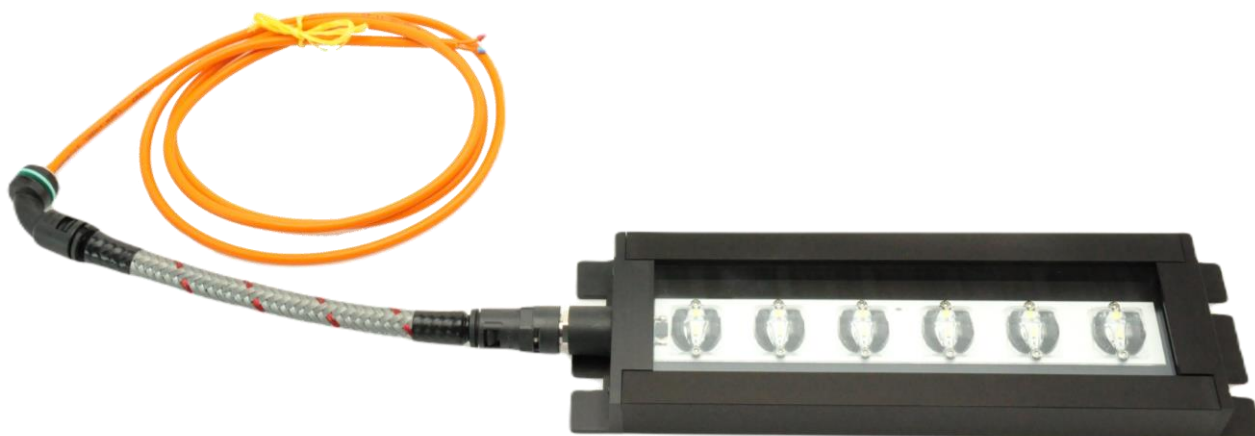


## BendLED Luminaire



### **DESCRIPTION:**

The BendLED luminaire is an extremely flat luminaire (31 mm) with high IP69 protection, suitable for illuminating the working area of machines with jet pressure coolant. The luminaire body consists of an extruded aluminum profile and two plastic fronts. The 4 mm thick tempered glass cover is attached to the body by means of side rails. The robotically applied silicone seal guarantees a perfect sealing of the luminaire's interior.

The BendLED luminaire is designed for panel mounting, it is supplied with a supply cable of the required length and a protective hose, which is terminated by a bushing into the panel. This bushing must always be located lower than the luminaire itself! The power supply is external to 24V or 230V AC. The luminaire can also be mounted with robust plastic joint fixtures, which allows the luminous flux of the luminaire to be directed. We supply the BendLED luminaire with symmetrical optics (beam angle 60 °) or with asymmetrical optics, the axis of which is offset by 45 °. The asymmetrical design is particularly suitable for mounting on the sidewall or ceiling of hooded machine tools - when mounted correctly on the wall, the luminous flux is concentrated towards the work area and does not dazzle the operator. At the same time, the luminaire takes up minimal space, there is no need to rotate it, and thanks to this, chips and other dirt cannot accumulate in the space behind it.

## TECHNICAL PARAMETERS:

- Supply voltage
  - Version DC 24V: 22 to 36V DC
  - Version AC 230V: 200 to 250V AC/48-65 Hz
- Consumption 40W
- Light source 6x LED Cree XP-L Ra=80
- Luminous flux 4900 lm
- Minimal lifetime 50 000 h
- Ambient operating temperature -20 to +50°C
- Ingress protection IP69 (100 bar water jet)

## ADVANTAGES:

- The asymmetrical radiation pattern simplifies the installation of the luminaire and prevents glare
- The high degree of ingress protection IP69 allows this luminaire to be used in the workspace of modern machines
- Compact design resistant to shocks and vibrations

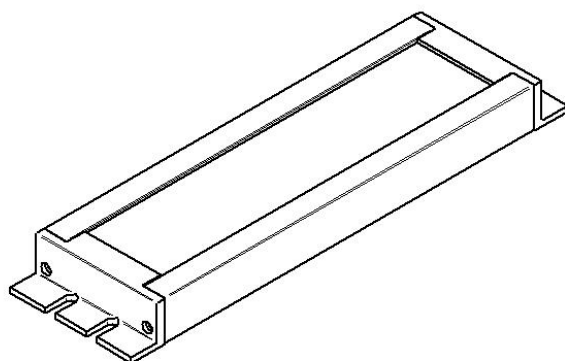
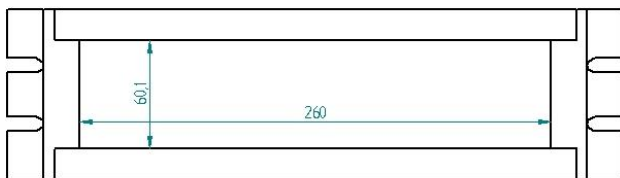
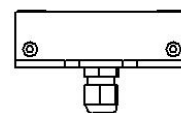
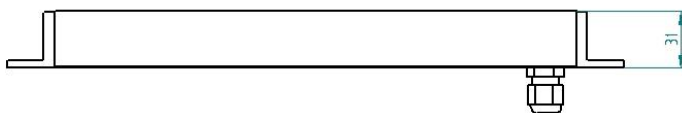
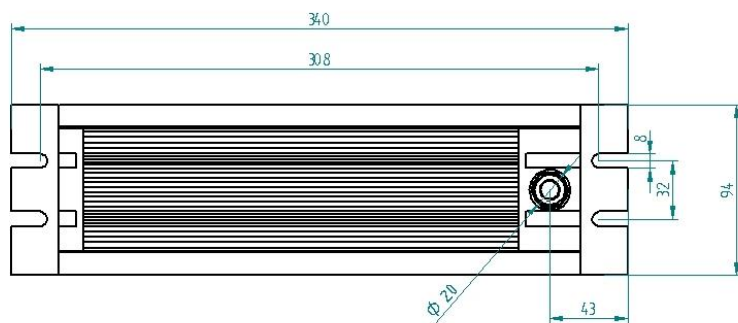
## DIMENSIONS:

- Height x Width x Length: 31 x 340 x 94 mm

BendLED design with joint, cable gland on the side



## BendLED design, cable gland gland bottom



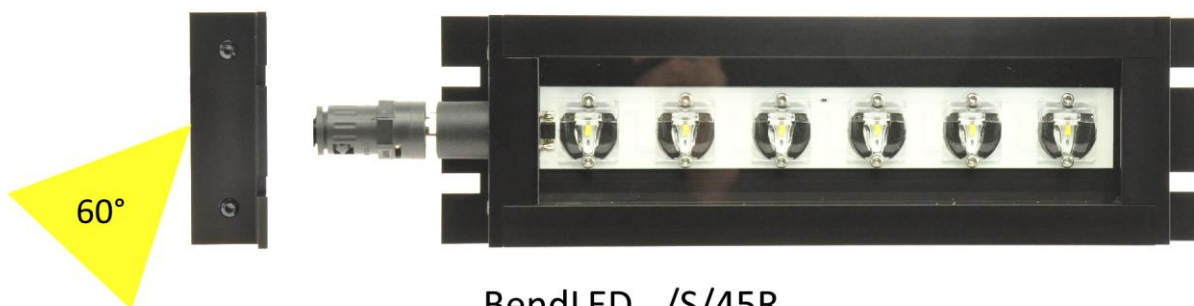
## Radiation angle orientation



BendLED.../S/0



BendLED.../S/45L



BendLED.../S/45R

Order Code	Luminaire mounting	Supply voltage	Main radiation direction from the horizon	Radiation angle orientation	Outlet
BendLED 230V/D/45R	Lamp foot	230 VAC	45°	Right	Bottom
BendLED 24V/D/45R	Lamp foot	24 VDC	45°	Right	Bottom
BendLED 230V/S/45R*	Lamp foot	230 VAC	45°	Right	Side
BendLED 24V/S/45R*	Lamp foot	24 VDC	45°	Right	Side
BendLED 230V/D/45L	Lamp foot	230 VAC	45°	Left	Bottom
BendLED 24V/D/45L	Lamp foot	24 VDC	45°	Left	Bottom
BendLED 230V/S/45L	Lamp foot	230 VAC	45°	Left	Side
BendLED 24V/S/45L	Lamp foot	24 VDC	45°	Left	Side
BendLED 230V/D/0	Lamp foot	230 VAC	0°	-	Bottom
BendLED 24V/D/0	Lamp foot	24 VDC	0°	-	Bottom
BendLED 230V/S/0	Lamp foot	230 VAC	0°	-	Side
BendLED 24V/S/0	Lamp foot	24 VDC	0°	-	Side
BendLED 230V/D/45R/J	Joint	230 VAC	45°	Right	Bottom
BendLED 24V/D/45R/J	Joint	24 VDC	45°	Right	Bottom
BendLED 230V/S/45R/J	Joint	230 VAC	45°	Right	Side
BendLED 24V/S/45R/J	Joint	24 VDC	45°	Right	Side
BendLED 230V/D/45L/J	Joint	230 VAC	45°	Left	Bottom
BendLED 24V/D/45L/J	Joint	24 VDC	45°	Left	Bottom
BendLED 230V/S/45L/J	Joint	230 VAC	45°	Left	Side
BendLED 24V/S/45L/J	Joint	24 VDC	45°	Left	Side
BendLED 230V/D/0/J	Joint	230 VAC	0°	-	Bottom
BendLED 24V/D/0/J	Joint	24 VDC	0°	-	Bottom
BendLED 230V/S/0/J	Joint	230 VAC	0°	-	Side
BendLED 24V/S/0/J	Joint	24 VDC	0°	-	Side

## NOTICES:

The delivery includes:

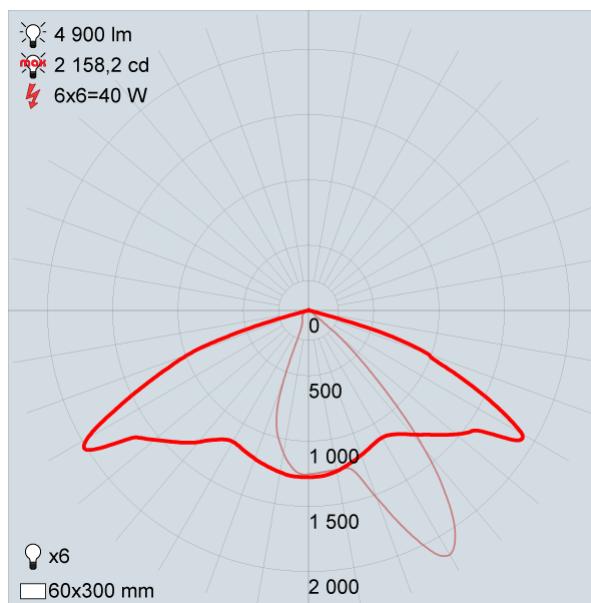
Sealing ring for variant D (gland down / back).

Power supply for 24 VDC or 230 VAC.

Connecting cable 2x0.75 mm long 2 m with protective hose is included in the delivery (longer or other for an additional fee).

## LUMINOSITY CURVES:

**BendLED .../. /45**



**BendLED .../. /0**

